

Exterior Covers

SPECIFICATION DETAIL



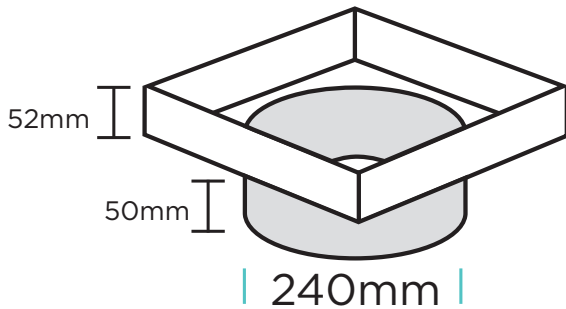
H I D E[®]

Concrete Collars EASY-FORM COLLAR

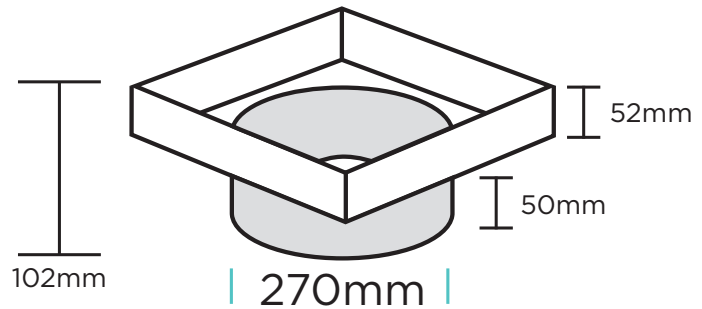


SKIMMER LIDS with easy form **Concrete Collar** option (see below for details)

KIT SIZE mm	HIDE KIT PRODUCT ORDER CODE	CONCRETE THICKNESS mm	INLAY LID		EDGE PROTECTOR FRAME		
			SIZE mm	INTERNAL DEPTH mm	SIZE mm	EXTERNAL DEPTH mm	UNDERSIDE OPENING mm
	A	B	C	D	E	F	G
306	HCONC306-240-40	43	300 sq.	43	306 sq.	53	240 round
	HCONC306-270-40						270 round



External Collar Diameter



External Collar Diameter



HEAD OFFICE

26 Link Drive, Yatala, Qld, 4207

P: +61 7 3807 2551

E: admin@skimmerlids.com.au

W: www.skimmerlids.com.au

@hideskimmerlids

HIDE products are recommended for use in pedestrian traffic areas only.

Information correct at time of printing, changes may be made without notice. Modifications and updates can be viewed on our website - www.skimmerlids.com.au



Patents: AUST, UK, NZ available: www.skimmerlids.com.au
USA/Canada: www.skimmercovers.com (under technical tab)



PROUDLY MANUFACTURED BY:
SKIMMER LIDS